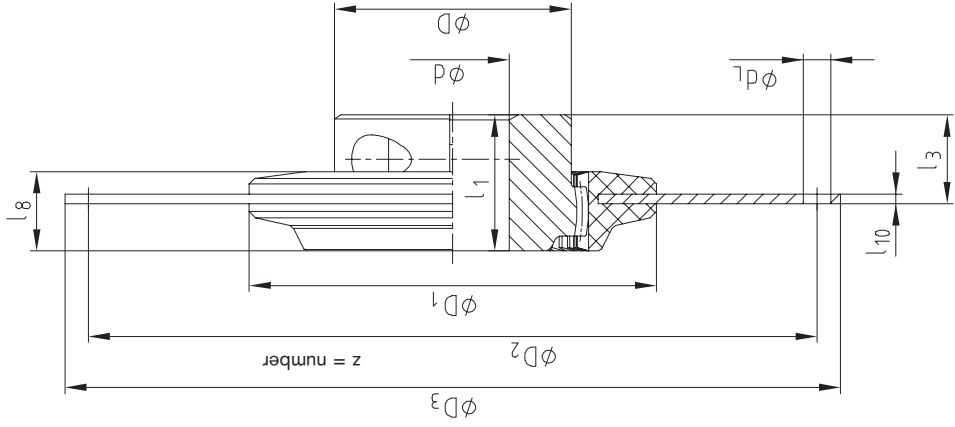
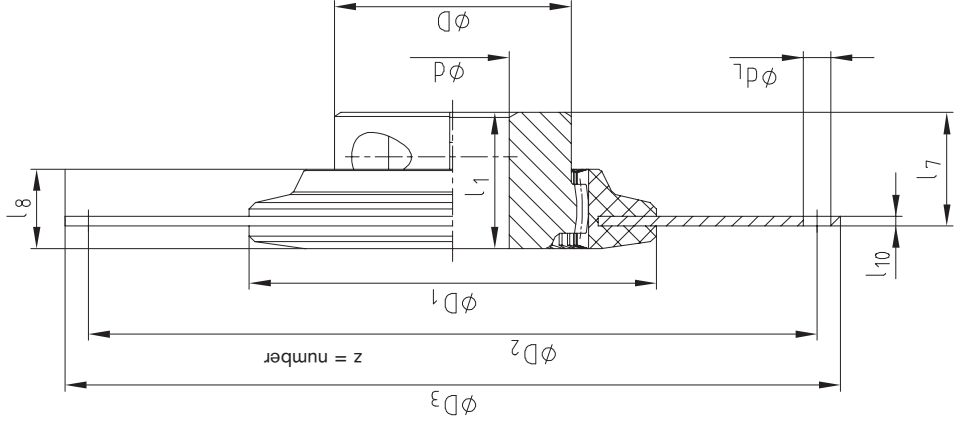




Short mounting version



Long mounting version



Flange dimensions according to SAE J620 [mm]

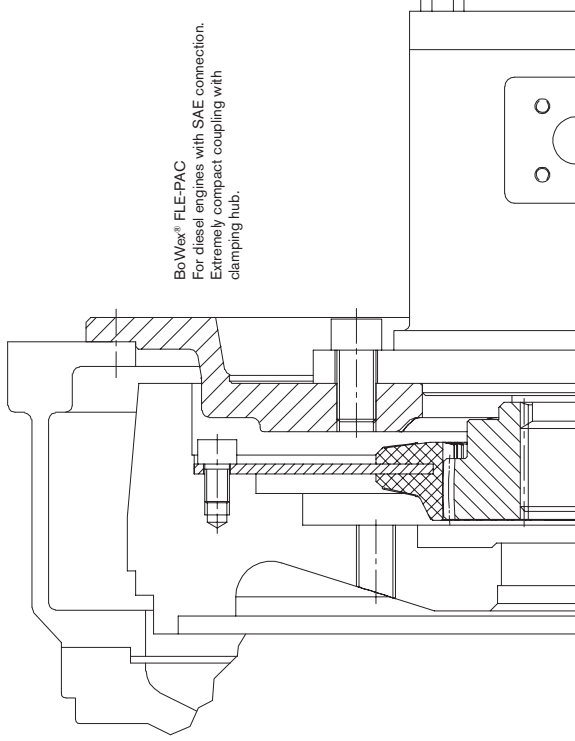
Size	D3	D2	z	dL
6 1/2"	215.9	200.02	6	9
7 1/2"	241.3	222.25	8	9
8"	263.52	244.47	6	11
10"	314.32	295.27	8	11
11 1/2"	352.42	333.37	8	11
14"	466.72	438.15	8	14

Flange couplings

MONOLASTIC®

BoWex-ELASTIC®

SINULASTIC®



BoWex® FLE-PAC  
For diesel engines with SAE connection.  
Extremely compact coupling with clamping hub.